

B-PLUS

Albany Amateur Radio Association – AARA

March 2024

Gerald Murray WA2IWW
PRESIDENT
518 482-8700
wa2iww@arrl.net

Art Ceas KB2JZJ
VICE PRESIDENT
KB2JZJ@AOL.COM

Saul Abrams K2XA
TREASURER
518 439-5700
k2xa@arrl.net

Bruce Goldstein WA3AFS
SECRETARY/WEBMASTER
518 765-2893
wa3afs@arrl.net

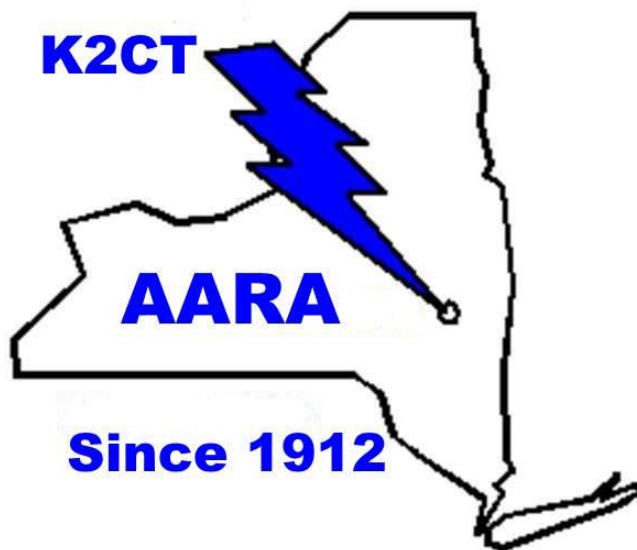
Don Herring KB2SCO
DIRECTOR
518 281-9986
dgherring@hotmail.com

Fred Lass K2TR
DIRECTOR
k2tr@arrl.net

Nathaniel Greenman KB2HPX
DIRECTOR
518 439-5008
ngreenman@verizon.net

John Fritze K2QY
TRUSTEE of K2CT
PAST PRESIDENT
k2qy@arrl.org

Don Herring KB2SCO
B-PLUS Editor



AARA January Meeting
March 6th, 2024 @ 7:30 PM
Slingerlands Fire Dept.

Topic:

To Be Announced

PLEASE Pay Your Dues
Dues are \$20
Checks can be sent to:

Saul Abrams, K2XA
307 Maple Rd.
Slingerlands, NY 12159

February 2023 Meeting



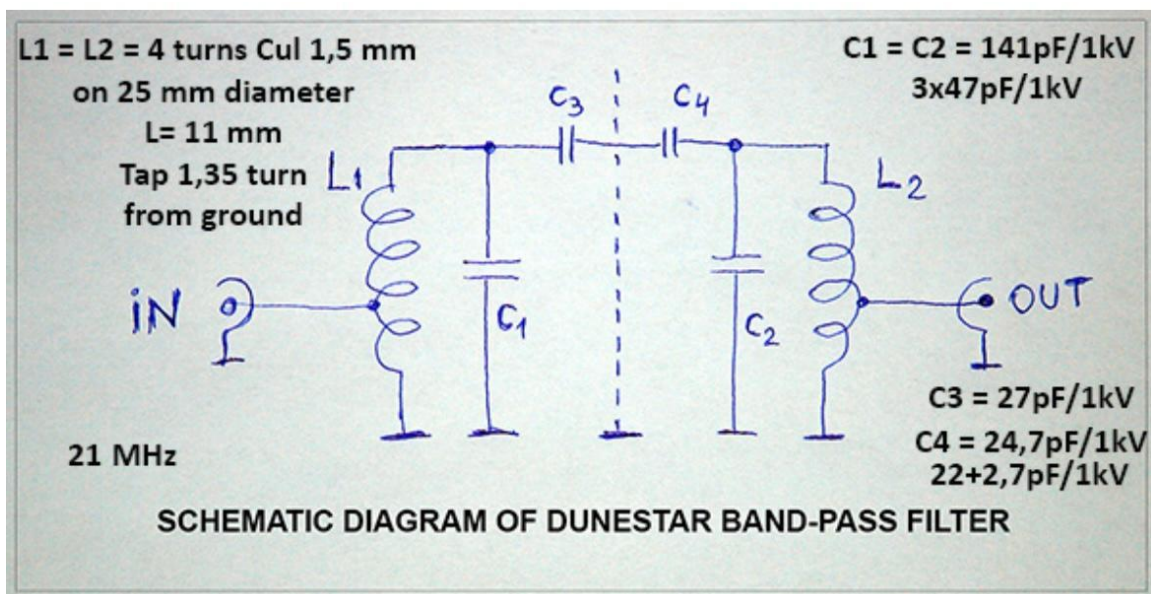
John Fritze K2QY gave a presentation on mobile ham operating.



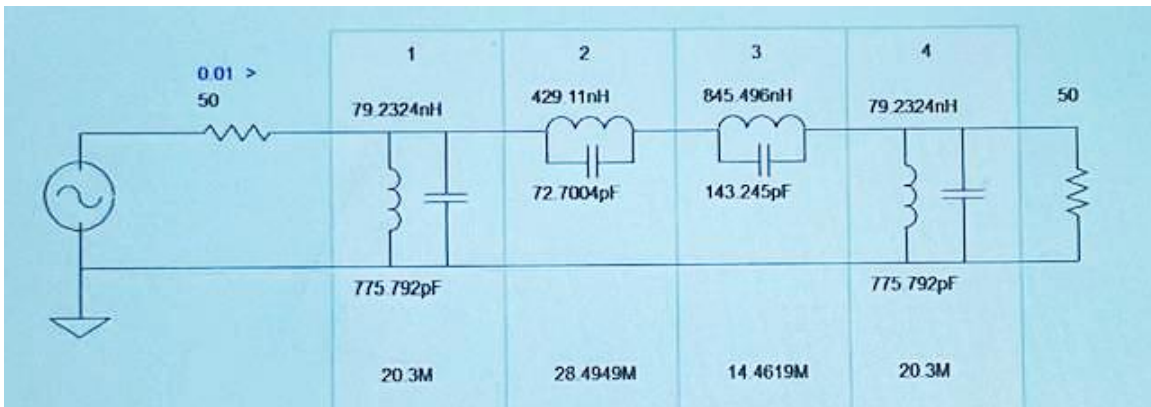
Mobile hardware: Elecraft radio, fishing pole antenna, batteries, etc.

Fred's Sandbox: Filtering for Field Day

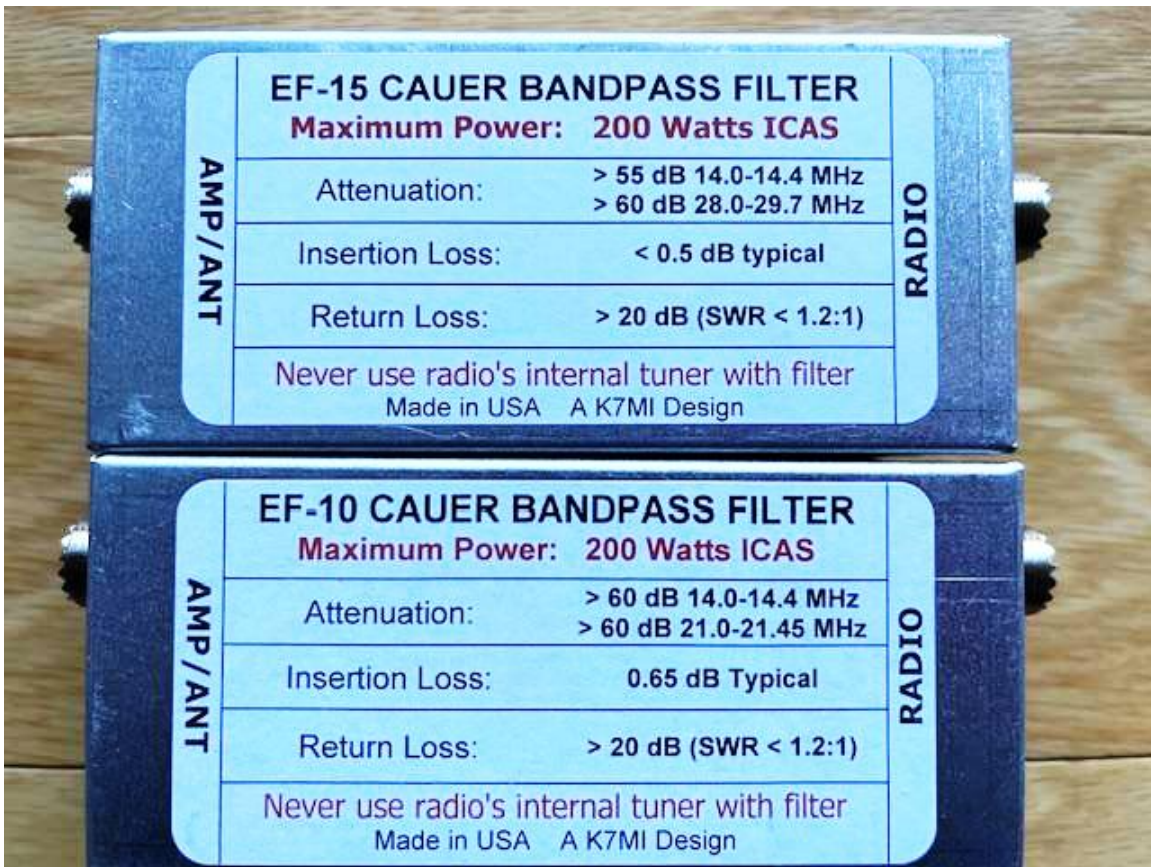
Our use of a Triplexor on Field Day highlights the need for extreme filters to prevent inter-station interference. In June and January we used Dunestar filters provided by the Troy club in conjunction with the Triplexor that I built last year. Some of you noticed some interference from others when using the tribander simultaneously, so I decided to see what can be done about it. This is the design of the Dunestar 15 meter filter.



This filter has roughly 40 db rejection of 20 and 10 meters. That's enough isolation to prevent damage to the receivers and fundamental overload on 20 and 10, but not enough to eliminate transmitted broadband noise or third order intermodulation. There is a better filter design called a Cauer, (AKA elliptical) where the two series capacitors are replaced with parallel tank circuits, one resonant on 20 meters and the second on 10 meters.



This concept adds 15-20 db of rejection of 20 and 10 meters. While I would normally try to replicate this design, I found them readily available and affordable on-line at Hamation. This is what they look like:



These, in conjunction of a 20 meter filter that we have from W2PV's estate, will be enough to take our Field Day to the next level of performance!

Saratoga County Amateur Radio Association
SWAPFEST

Saturday, March 9, 2024

FREE Admission

50 West High Street (Rt 67 W), Ballston Spa, NY 12020

- Doors open at 7 a.m. • Refreshments. • Door Prize raffle!
- Cornell Cooperative Extension Building (aka Solar Bldg)

Important Links:

Find a license class in your area: www.arrl.org/class

Find a license exam in your area: www.arrl.org/exam

The Eastern Iowa DX Bulletin:

<http://www.eidxa.org/EIDXBulletin.html>